

# 4M AHD PLASTIC DOME CAMERA - SU-AD424H

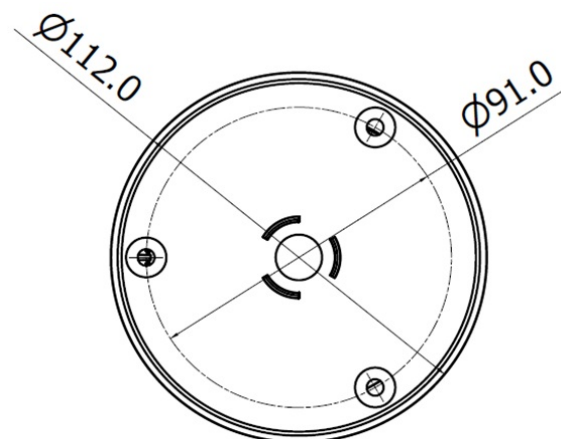
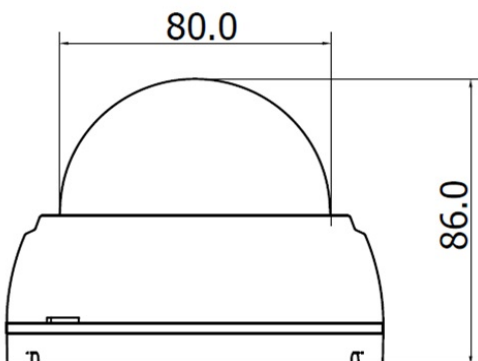
## ▪ Key Features

- 1/3" 4.1 Mega Pixel CMOS
- High Resolution 2688 x 1520 30fps or 15fps
- 3.6 mm 4Mega Pixel Lens
- Power DC12V
- Cable OSD(Optional)
- UTC Function Support



Photo

MODEL	Specifications
CMOS Device	1/3" 4.1 Mega Pixel CMOS
Effective Pixels	2688(H) x 1520(V) = 4.08 M pixel
Day & Night	External control(default)/Auto/Color/White&black (OSD switch )
S/N Ratio	More than 50dB (AGC Off)
Minimum Illumination	Color: 0.01 lux, IR ON BW: 0.0lux
Backlight compensation	AUTO
Shutter Speed	Auto / Manual(1/50(60) ~ 1/50000) sec
White Balance	AUTO
Video Output	AHD - 2688 x 1520 30fps or 15fps / CVBS
Lens	3.6 mm 4Mega Pixel Fixed Lens
Power Input	DC 12V ± 10% / 500mA
Power Consumption	DC 12V / 100mA, 1.2W
Operating Temperature	-10 °C ~ +50 °C
Operating Humidity	Less than 90%
Dimension	80, 112(D) × 87(H)mm
Weight	Approx.170(g)



# 4M AHD PLASTIC DOME CAMERA - SU-AD430HV

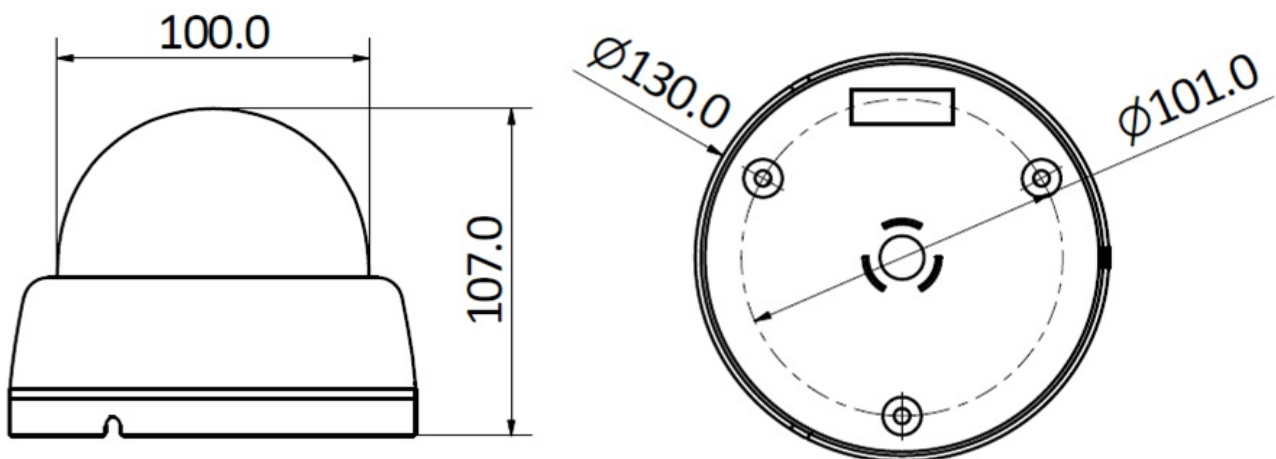
## ▪ Key Features

- 1/3" 4.1 Mega Pixel CMOS
- High Resolution 2688 x 1520 30fps or 15fps
- 2.8~12mm V/F 4Mega Pixel Lens
- Power DC12V
- Cable OSD(Optional)
- UTC Function Support



Photo

MODEL	Specifications
CMOS Device	1/3" 4.1 Mega Pixel CMOS
Effective Pixels	2688(H) x 1520(V) = 4.08 M pixel
Day & Night	External control(default)/Auto/Color/White&black (OSD switch )
S/N Ratio	More than 50dB (AGC Off)
Minimum Illumination	Color: 0.01 lux, IR ON BW: 0.0lux
Backlight compensation	AUTO
Shutter Speed	Auto / Manual(1/50(60) ~ 1/50000) sec
White Balance	AUTO
Video Output	AHD - 2688 x 1520 30fps or 15fps / CVBS
Lens	2.8~12mm V/F 4Mega Pixel Lens
Power Input	DC 12V ± 10% / 500mA
Power Consumption	DC 12V / 180mA, 2W
Operating Temperature	-10 °C ~ +50 °C
Operating Humidity	Less than 90%
Dimension	100, 130(D) × 107(H)mm
Weight	Approx.310(g)



# 4M AHD VANDAL DOME CAMERA - SU-AV424H

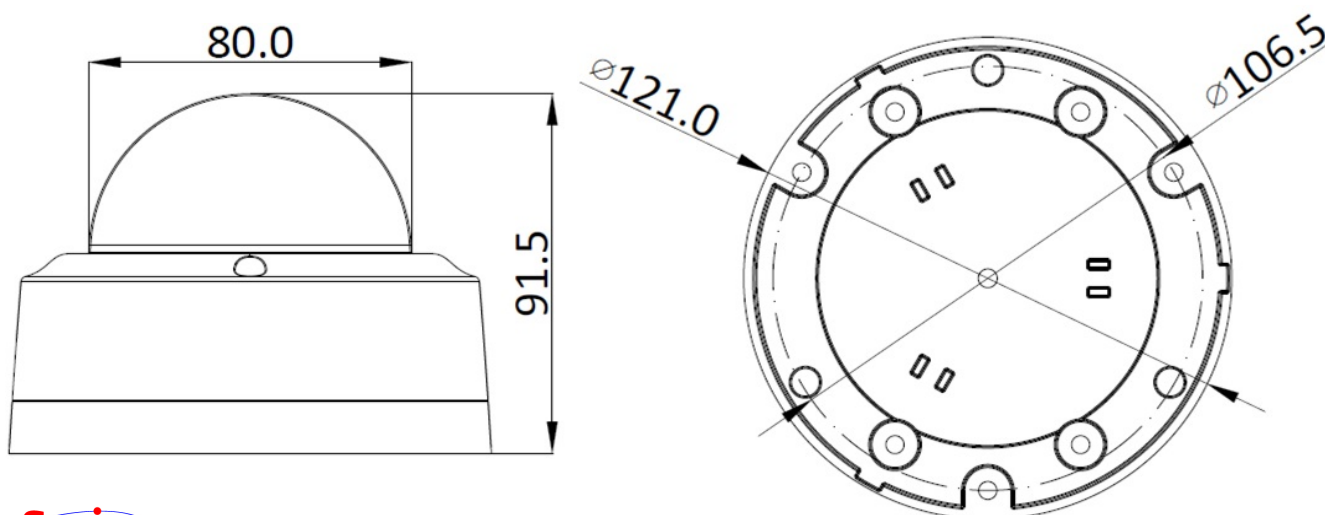
## ▪ Key Features

- 1/3" 4.1 Mega Pixel CMOS
- High Resolution 2688 x 1520 30fps or 15fps
- 3.6 mm 4Mega Pixel Lens
- Power DC12V
- Cable OSD(Optional)
- UTC Function Support



Photo

MODEL	Specifications
CMOS Device	1/3" 4.1 Mega Pixel CMOS
Effective Pixels	2688(H) x 1520(V) = 4.08 M pixel
Day & Night	External control(default)/Auto/Color/White&black ( OSD switch )
S/N Ratio	More than 50dB (AGC Off)
Minimum Illumination	Color: 0.01 lux, IR ON BW: 0.0lux
Backlight compensation	AUTO
Shutter Speed	Auto / Manual(1/50(60) ~ 1/50000) sec
White Balance	AUTO
Video Output	AHD - 2688 x 1520 30fps or 15fps / CVBS
Lens	3.6 mm 4Mega Pixel Fixed Lens
Power Input	DC 12V ± 10% / 500mA
Power Consumption	DC 12V / 100mA, 1.2W
Operating Temperature	-10 °C ~ +50 °C
Operating Humidity	Less than 90%
Dimension	80, 121(D) × 91.5(H)mm
Weight	Approx.470(g)



# 4M AHD IR PLASTIC DOME CAMERA - SU-AD424HIR

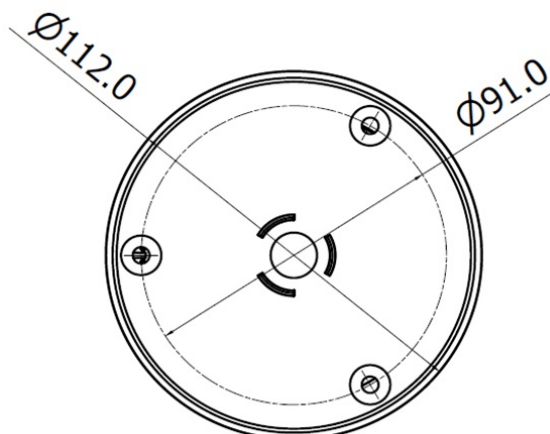
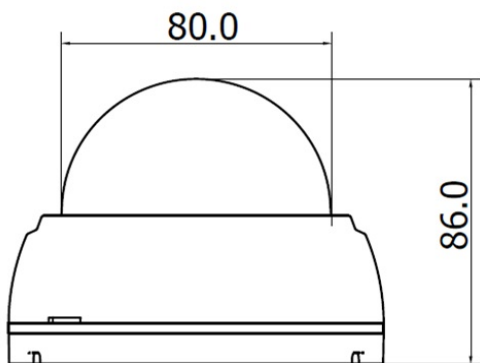
## ▪ Key Features

- 1/3" 4.1 Mega Pixel CMOS
- High Resolution 2688 x 1520 30fps or 15fps
- 3.6 mm 4Mega Pixel Lens
- Power DC12V
- Cable OSD(Optional)
- UTC Function Support



Photo

MODEL	Specifications
CMOS Device	1/3" 4.1 Mega Pixel CMOS
Effective Pixels	2688(H) x 1520(V) = 4.08 M pixel
Day & Night	External control(default)/Auto/Color/White&black (OSD switch )
S/N Ratio	More than 50dB (AGC Off)
Minimum Illumination	Color: 0.01 lux, IR ON BW: 0.0lux
Backlight compensation	AUTO
Shutter Speed	Auto / Manual(1/50(60) ~ 1/50000) sec
White Balance	AUTO
Video Output	AHD - 2688 x 1520 30fps or 15fps / CVBS
Lens	3.6 mm 4Mega Pixel Fixed Lens
IR LED	Visible 5mm Diameter(850nm, 30 °) x 24pcs
Visibility Range	Indoor 17m / Outdoor 15m
Power Input	DC 12V ± 10% / 1.0A
Power Consumption	DC 12V / 350mA, 4W
Operating Temperature	-10 °C ~ +50 °C
Operating Humidity	Less than 90%
Dimension	80, 112(D) x 87(H)mm
Weight	Approx.180(g)



# 4M AHD IR PLASTIC DOME CAMERA - SU-AD430HVIR

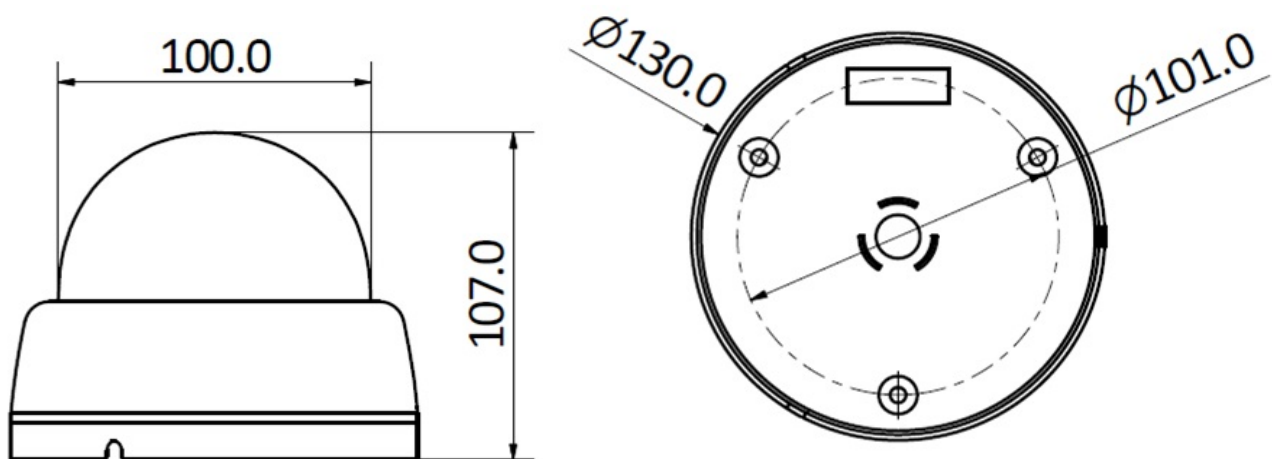
## ▪ Key Features

- 1/3" 4.1 Mega Pixel CMOS
- High Resolution 2688 x 1520 30fps or 15fps
- 2.8~12mm V/F 4Mega Pixel Lens
- Power DC12V
- Cable OSD(Optional)
- UTC Function Support



Photo

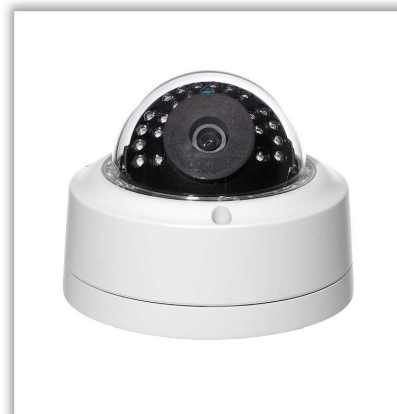
MODEL	Specifications
CMOS Device	1/3" 4.1 Mega Pixel CMOS
Effective Pixels	2688(H) x 1520(V) = 4.08 M pixel
Day & Night	External control(default)/Auto/Color/White&black (OSD switch )
S/N Ratio	More than 50dB (AGC Off)
Minimum Illumination	Color: 0.01 lux, IR ON BW: 0.0lux
Backlight compensation	AUTO
Shutter Speed	Auto / Manual(1/50(60) ~ 1/50000) sec
White Balance	AUTO
Video Output	AHD - 2688 x 1520 30fps or 15fps / CVBS
Lens	2.8~12mm V/F 4Mega Pixel Lens
IR LED	Visible 5mm Diameter(850nm, 30 °) x 24pcs
Visibility Range	Indoor 17m / Outdoor 15m
Power Input	DC 12V ± 10% / 1.0A
Power Consumption	DC 12V / 420mA, 5W
Operating Temperature	-10 °C ~ +50 °C
Operating Humidity	Less than 90%
Dimension	100, 130(D) x 107(H)mm
Weight	Approx.320(g)



# 4M AHD IR VANDAL DOME CAMERA - SU-AV424HIR

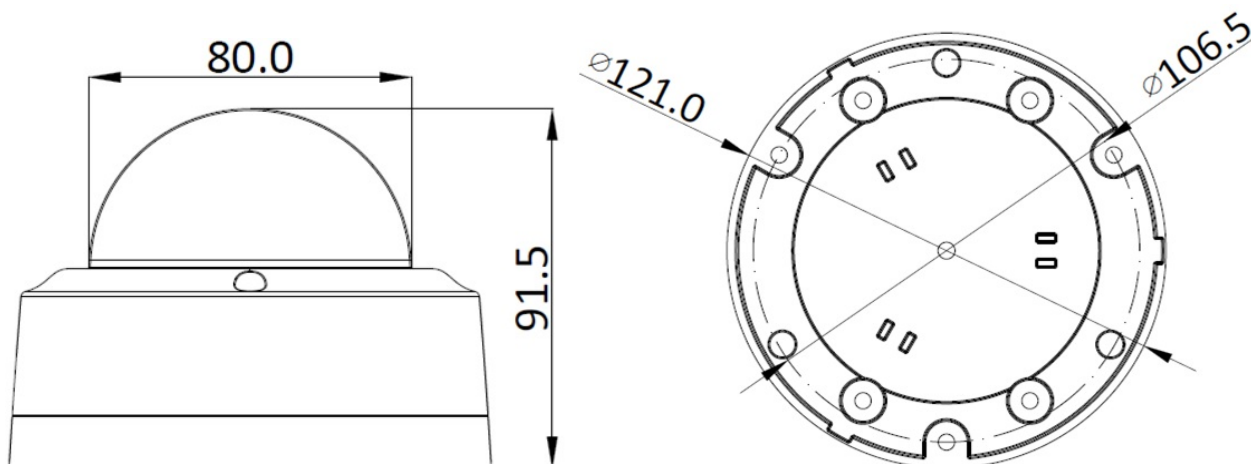
## ▪ Key Features

- 1/3" 4.1 Mega Pixel CMOS
- High Resolution 2688 x 1520 30fps or 15fps
- 3.6 mm 4Mega Pixel Lens
- Power DC12V
- Cable OSD(Optional)
- UTC Function Support



Photo

MODEL	Specifications
CMOS Device	1/3" 4.1 Mega Pixel CMOS
Effective Pixels	2688(H) x 1520(V) = 4.08 M pixel
Day & Night	External control(default)/Auto/Color/White&black (OSD switch )
S/N Ratio	More than 50dB (AGC Off)
Minimum Illumination	Color: 0.01 lux, IR ON BW: 0.0lux
Backlight compensation	AUTO
Shutter Speed	Auto / Manual(1/50(60) ~ 1/50000) sec
White Balance	AUTO
Video Output	AHD - 2688 x 1520 30fps or 15fps / CVBS
Lens	3.6 mm 4Mega Pixel Fixed Lens
IR LED	Visible 5mm Diameter(850nm, 30 °) x 24pcs
Visibility Range	Indoor 17m / Outdoor 15m
Power Input	DC 12V ± 10% / 1.0A
Power Consumption	DC 12V / 350mA, 4W
Operating Temperature	-10 °C ~ +50 °C
Operating Humidity	Less than 90%
Dimension	80, 121(D) x 91.5(H)mm
Weight	Approx.480(g)



# 4M AHD IR BULLET CAMERA - SU-AB424HIR

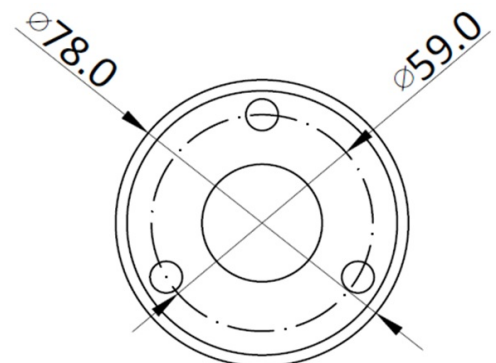
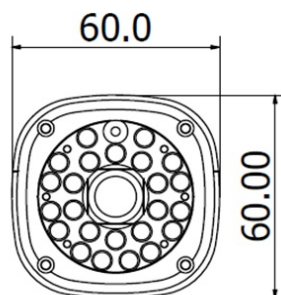
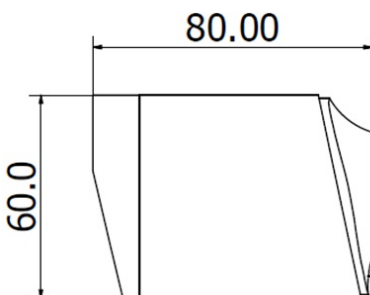
## ▪ Key Features

- 1/3" 4.1 Mega Pixel CMOS
- High Resolution 2688 x 1520 30fps or 15fps
- 3.6 mm 4Mega Pixel Lens
- Power DC12V
- Cable OSD(Optional)
- UTC Function Support



Photo

MODEL	Specifications
CMOS Device	1/3" 4.1 Mega Pixel CMOS
Effective Pixels	2688(H) x 1520(V) = 4.08 M pixel
Day & Night	External control(default)/Auto/Color/White&black (OSD switch )
S/N Ratio	More than 50dB (AGC Off)
Minimum Illumination	Color: 0.01 lux, IR ON BW: 0.0lux
Backlight compensation	AUTO
Shutter Speed	Auto / Manual(1/50(60) ~ 1/50000) sec
White Balance	AUTO
Video Output	AHD - 2688 x 1520 30fps or 15fps / CVBS
Lens	3.6 mm 4Mega Pixel Fixed Lens
IR LED	Visible 5mm Diameter(850nm, 30 °) x 24pcs
Visibility Range	Outdoor 25m
Power Input	DC 12V ± 10% / 1.0A
Power Consumption	DC 12V / 350mA, 4W
Operating Temperature	-10 °C ~ +50 °C
Operating Humidity	Less than 90%
Dimension	60W) x 60(H) x 80(L)mm, Bracket 102(L)mm
Weight	Approx.360(g)



BRACKET

[www.sunincctv.com](http://www.sunincctv.com)

# 4M AHD IR BULLET CAMERA - SU-AB424HIR

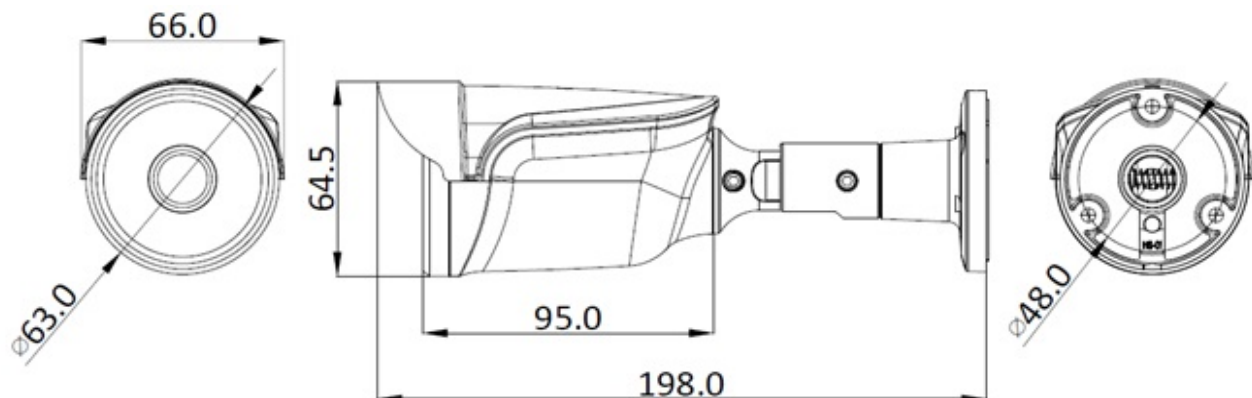
## ▪ Key Features

- 1/3" 4.1 Mega Pixel CMOS
- High Resolution 2688 x 1520 30fps or 15fps
- 3.6 mm 4Mega Pixel Lens
- Power DC12V
- Cable OSD(Optional)
- UTC Function Support



Photo

MODEL	Specifications
CMOS Device	1/3" 4.1 Mega Pixel CMOS
Effective Pixels	2688(H) x 1520(V) = 4.08 M pixel
Day & Night	External control(default)/Auto/Color/White&black (OSD switch )
S/N Ratio	More than 50dB (AGC Off)
Minimum Illumination	Color: 0.01 lux, IR ON BW: 0.0lux
Backlight compensation	AUTO
Shutter Speed	Auto / Manual(1/50(60) ~ 1/50000) sec
White Balance	AUTO
Video Output	AHD - 2688 x 1520 30fps or 15fps / CVBS
Lens	3.6 mm 4Mega Pixel Fixed Lens
IR LED	Visible 5mm Diameter(850nm, 30 °) x 24pcs
Visibility Range	Outdoor 25m
Power Input	DC 12V ± 10% / 1.0A
Power Consumption	DC 12V / 350mA, 4W
Operating Temperature	-10 °C ~ +50 °C
Operating Humidity	Less than 90%
Dimension	66W) x 64.5(H) x 95, with Bracket 198(L)mm
Weight	Approx.270(g)





# 4M AHD IR BULLET CAMERA - SU-AB436HIR

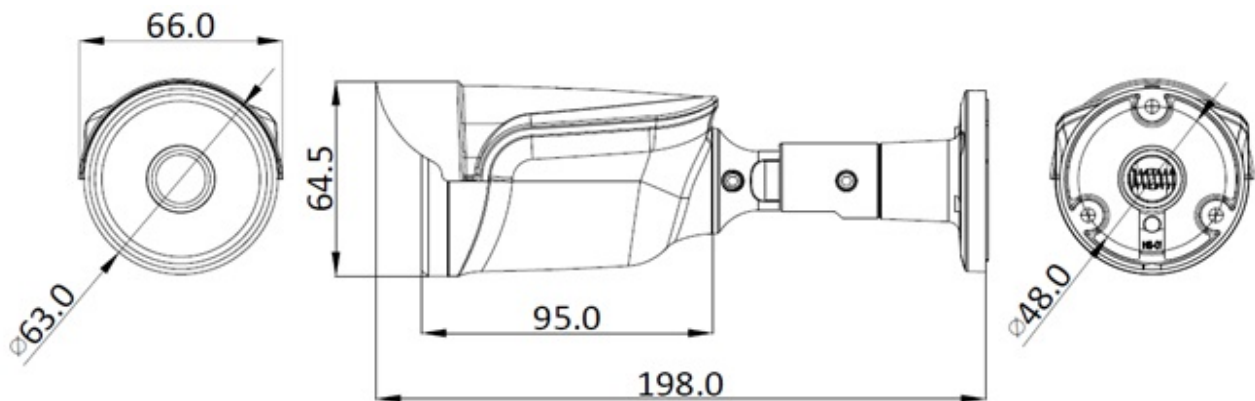
## ▪ Key Features

- 1/3" 4.1 Mega Pixel CMOS
- High Resolution 2688 x 1520 30fps or 15fps
- 3.6 mm 4Mega Pixel Lens
- Power DC12V
- Cable OSD(Optional)
- UTC Function Support



Photo

MODEL	Specifications
CMOS Device	1/3" 4.1 Mega Pixel CMOS
Effective Pixels	2688(H) x 1520(V) = 4.08 M pixel
Day & Night	External control(default)/Auto/Color/White&black ( OSD switch )
S/N Ratio	More than 50dB (AGC Off)
Minimum Illumination	Color: 0.01 lux, IR ON BW: 0.0lux
Backlight compensation	AUTO
Shutter Speed	Auto / Manual(1/50(60) ~ 1/50000) sec
White Balance	AUTO
Video Output	AHD - 2688 x 1520 30fps or 15fps / CVBS
Lens	3.6 mm 4Mega Pixel Fixed Lens
IR LED	Visible 5mm Diameter(850nm, 30 °) x 36pcs
Visibility Range	Outdoor 25m
Power Input	DC 12V ± 10% / 1.0A
Power Consumption	DC 12V / 450mA, 5.5W
Operating Temperature	-10 °C ~ +50 °C
Operating Humidity	Less than 90%
Dimension	66W) x 64.5(H) x 95, with Bracket 198(L)mm
Weight	Approx.280(g)



# 4M AHD IR BULLET CAMERA - SU-AB442HVIR

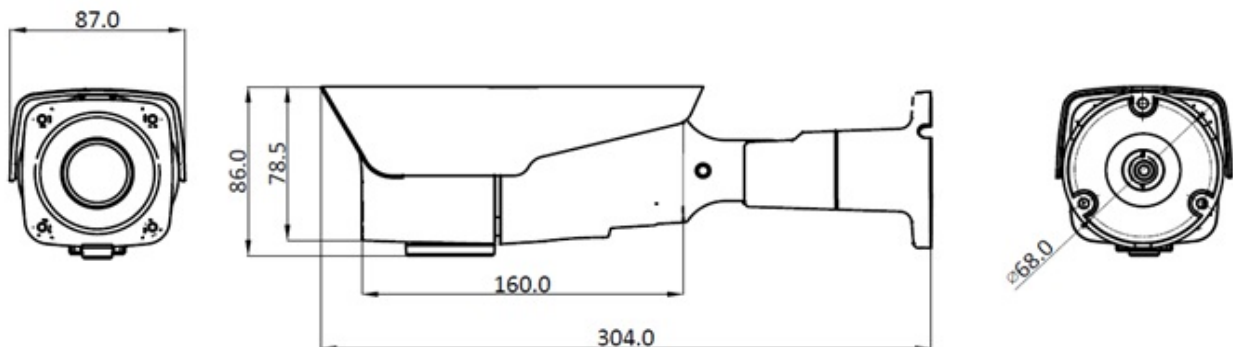
## ▪ Key Features

- 1/3" 4.1 Mega Pixel CMOS
- High Resolution 2688 x 1520 30fps or 15fps
- 2.8~12mm V/F 4Mega Pixel Lens
- Power DC12V
- Cable OSD(Optional)
- UTC Function Support



Photo

MODEL	Specifications
CMOS Device	1/3" 4.1 Mega Pixel CMOS
Effective Pixels	2688(H) x 1520(V) = 4.08 M pixel
Day & Night	External control(default)/Auto/Color/White&black (OSD switch )
S/N Ratio	More than 50dB (AGC Off)
Minimum Illumination	Color: 0.01 lux, IR ON BW: 0.0lux
Backlight compensation	AUTO
Shutter Speed	Auto / Manual(1/50(60) ~ 1/50000) sec
White Balance	AUTO
Video Output	AHD - 2688 x 1520 30fps or 15fps / CVBS
Lens	2.8~12mm V/F 4Mega Pixel Lens
IR LED	Visible 5mm Diameter(850nm, 30 °) x 42pcs
Visibility Range	Outdoor 30m
Power Input	DC 12V ± 10% / 1.5A
Power Consumption	DC 12V / 570mA, 7W
Operating Temperature	-10 °C ~ +50 °C
Operating Humidity	Less than 90%
Dimension	87W) x 86(H) x 160, with Bracket 304(L)mm
Weight	Approx.870(g)



# 4M AHD IR BULLET CAMERA - SU-AB454HIR

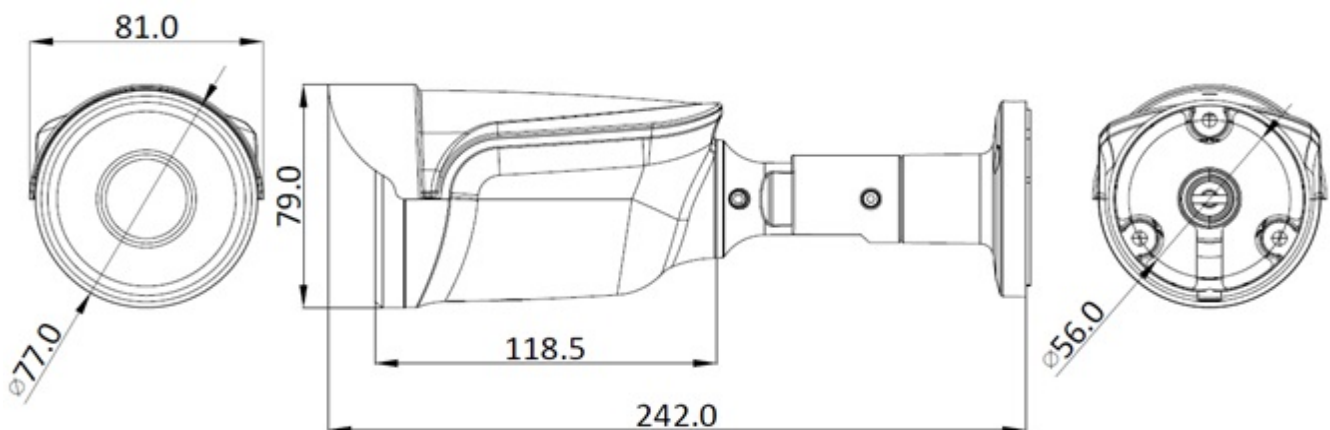
## ▪ Key Features

- 1/3" 4.1 Mega Pixel CMOS
- High Resolution 2688 x 1520 30fps or 15fps
- 3.6 mm 4Mega Pixel Lens
- Power DC12V
- Cable OSD(Optional)
- UTC Function Support



Photo

MODEL	Specifications
CMOS Device	1/3" 4.1 Mega Pixel CMOS
Effective Pixels	2688(H) x 1520(V) = 4.08 M pixel
Day & Night	External control(default)/Auto/Color/White&black (OSD switch)
S/N Ratio	More than 50dB (AGC Off)
Minimum Illumination	Color: 0.01 lux, IR ON BW: 0.0lux
Backlight compensation	AUTO
Shutter Speed	Auto / Manual(1/50(60) ~ 1/50000) sec
White Balance	AUTO
Video Output	AHD - 2688 x 1520 30fps or 15fps / CVBS
Lens	3.6 mm 4Mega Pixel Fixed Lens
IR LED	Visible 5mm Diameter(850nm, 30 °) x 54pcs
Visibility Range	Outdoor 40m
Power Input	DC 12V ± 10% / 1.5A
Power Consumption	DC 12V / 630mA, 8W
Operating Temperature	-10 °C ~ +50 °C
Operating Humidity	Less than 90%
Dimension	81(W) x 79(H) x 118.5, with Bracket 242(L)mm
Weight	Approx.420(g)



# 4M AHD IR HOUSING CAMERA - SU-AH490HIR

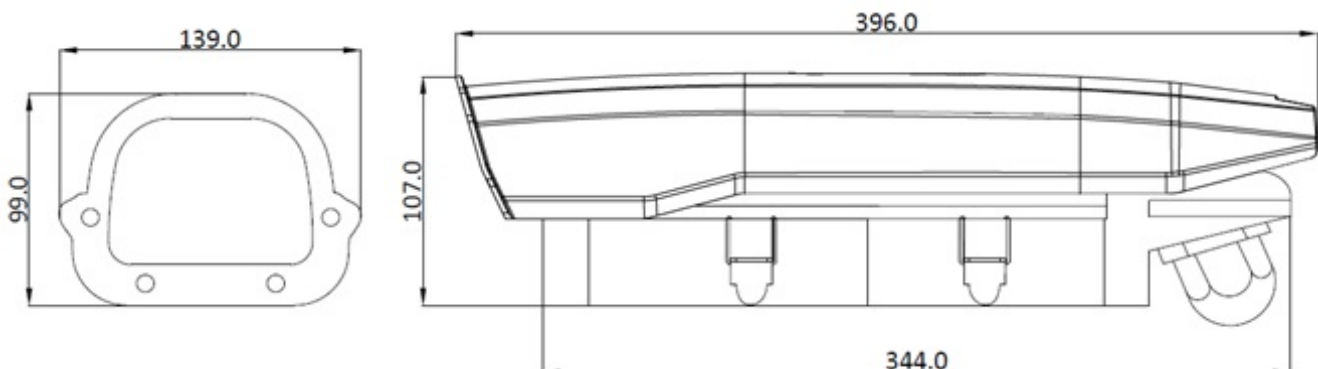
## ▪ Key Features

- 1/3" 4.1 Mega Pixel CMOS
- High Resolution 2688 x 1520 30fps or 15fps
- 3.6 mm 4Mega Pixel Lens
- Power DC12V
- Cable OSD(Optional)
- UTC Function Support



Photo

MODEL	Specifications
CMOS Device	1/3" 4.1 Mega Pixel CMOS
Effective Pixels	2688(H) x 1520(V) = 4.08 M pixel
Day & Night	External control(default)/Auto/Color/White&black (OSD switch )
S/N Ratio	More than 50dB (AGC Off)
Minimum Illumination	Color: 0.01 lux, IR ON BW: 0.0lux
Backlight compensation	AUTO
Shutter Speed	Auto / Manual(1/50(60) ~ 1/50000) sec
White Balance	AUTO
Video Output	AHD - 2688 x 1520 30fps or 15fps / CVBS
Lens	3.6 mm 4Mega Pixel Fixed Lens
IR LED	Visible 5mm Diameter(850nm, 30 °) x 90pcs
Visibility Range	Outdoor 40m
Power Input	DC 12V ± 10% / 1.5A
Power Consumption	DC 12V / 750mA, 9W
Operating Temperature	-10 °C ~ +50 °C
Operating Humidity	Less than 90%
Dimension	139W) x 99(H) x 396(L)mm
Weight	Approx.1.2(kg)



# 4M AHD IR HOUSING CAMERA - SU-AH490HVIR

## ▪ Key Features

- 1/3" 4.1 Mega Pixel CMOS
- High Resolution 2688 x 1520 30fps or 15fps
- 2.8~12mm V/F 4Mega Pixel Lens
- Power DC12V
- Cable OSD(Optional)
- UTC Function Support



Photo

MODEL	Specifications
CMOS Device	1/3" 4.1 Mega Pixel CMOS
Effective Pixels	2688(H) x 1520(V) = 4.08 M pixel
Day & Night	External control(default)/Auto/Color/White&black ( OSD switch )
S/N Ratio	More than 50dB (AGC Off)
Minimum Illumination	Color: 0.01 lux, IR ON BW: 0.0lux
Backlight compensation	AUTO
Shutter Speed	Auto / Manual(1/50(60) ~ 1/50000) sec
White Balance	AUTO
Video Output	AHD - 2688 x 1520 30fps or 15fps / CVBS
Lens	2.8~12mm V/F 4Mega Pixel Lens
IR LED	Visible 5mm Diameter(850nm, 30 °) x 90pcs
Visibility Range	Outdoor 40m
Power Input	DC 12V ± 10% / 1.5A
Power Consumption	DC 12V / 750mA, 9W
Operating Temperature	-10 °C ~ +50 °C
Operating Humidity	Less than 90%
Dimension	139W) x 99(H) x 396(L)mm
Weight	Approx.1.3(kg)

